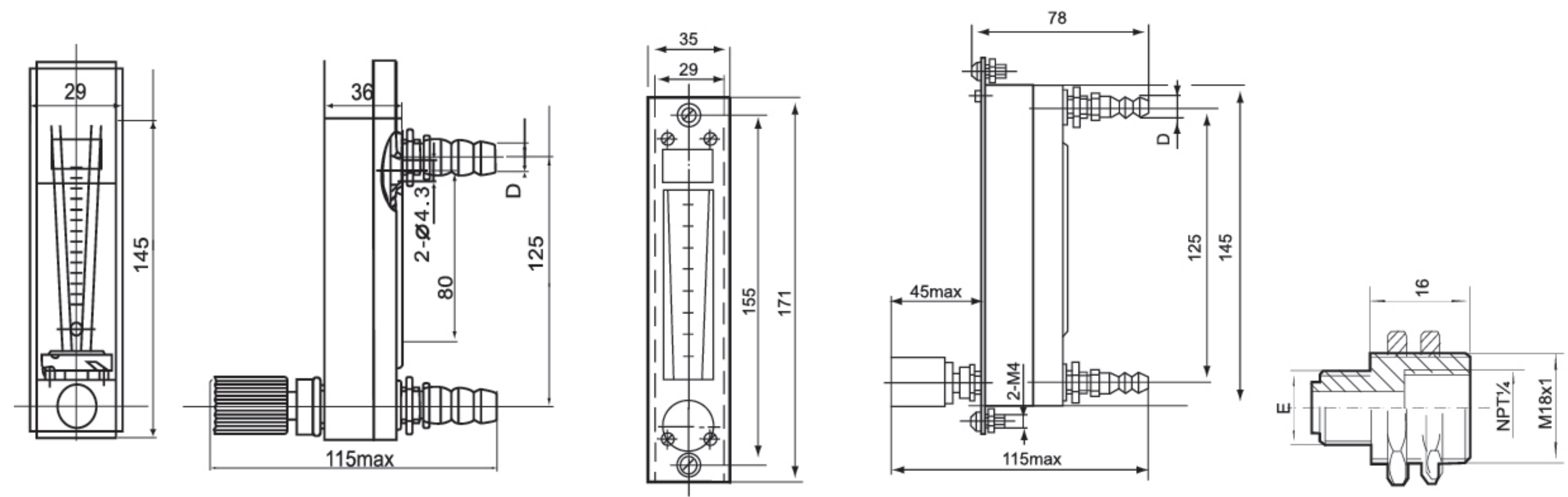


The Series DK800S Glass Rotameter

For micro flow measurement, 304 stainless steel wetted material



The Series DK800S Glass Rotameter is a variable area flowmeter. Its measuring tube is made of transparent glass. When fluid flows through the tube, the float suspends under the action of hydrodynamic force and its own gravity. The greater the fluid flow rate, the higher the float rises. The flow value can be directly read from the float's position. With excellent chemical compatibility, it becomes a preferred tool for laboratory, food & pharmaceutical, and small-to-medium flow measurement applications. Its lightweight design and easy-to-observe features make it particularly advantageous in scenarios requiring visual operation.

SPECIFICATIONS	
Service	Compatible liquids or gases
Material	304 stainless steel
Accuracy	±2.5%
Temperature Rating	≤100°C
Pressure Rating	≤0.6MPa
Connection	Multiple connection methods are available

FEATURES

- High measurement accuracy
- The float rotates only with the fluid flow, featuring no mechanical wear, low maintenance costs, and a long service life. Lightweight and cost-effective
- Provides an economical solution for flow measurement
- Vertical installation without straight pipe sections
- Allows direct observation of fluid status and float position for easy reading

APPLICATIONS

- Pharmaceutical Industry
- Semiconductor Industry
- Food and Beverage Industry
- Urban Water Supply and Drainage
- Environmental Protection
- New Energy Industry
- Scientific research institution

Specifications

Pipe Size DN(mm)	Model	Measurement Range(L/h)		Float Material
		Liquid	Gas	
3	DK800S-3	0.15~1.5	0.18~1.8 0.36~3.6	Agate
4	DK800S-4	0.25~2.5	0.5~5 0.8~8 1.6~16 6~60	304SS
6	DK800S-6	0.5~5 1.2~12 2~20 2.5~25 4~40 6~60 10~100 16~160 20~200	10~100 25~250 50~500 80~800 100~1000 180~1800 240~2400 300~3000 350~3500 430~4300	

MODEL CHART

Example	DK800S	-3	-0.15L/h-1.5L/h	-L	-A	-N	
Series	DK800S						Glass Rotameter
Pipe Size		3					Please refer to the technical specification
		4					Please refer to the technical specification
		6					Please refer to the technical specification
Flow Range			XXXXXXXX				Select the range in the technical specification table, e.g., "0.15L/h-1.5L/h"
Medium				A			Gas
				L			Liquid
Connection					N		1/4" NPT Female Thread
					M		1/4" NPT Male Thread
					B		1/4" BSP Female Thread
					O		1/4" BSP Male Thread
					D		Φ11.5 Hose Connection
Alarm Output						U	Upper Limit Alarm
						D	Lower Limit Alarm
						N	No Alarm

Overall Dimensions

Model	D	E	Weight (kg)
DK800S-3	ø11.5	M10x1 BSP1/4"	0.45
DK800S-4			
DK800S-6			